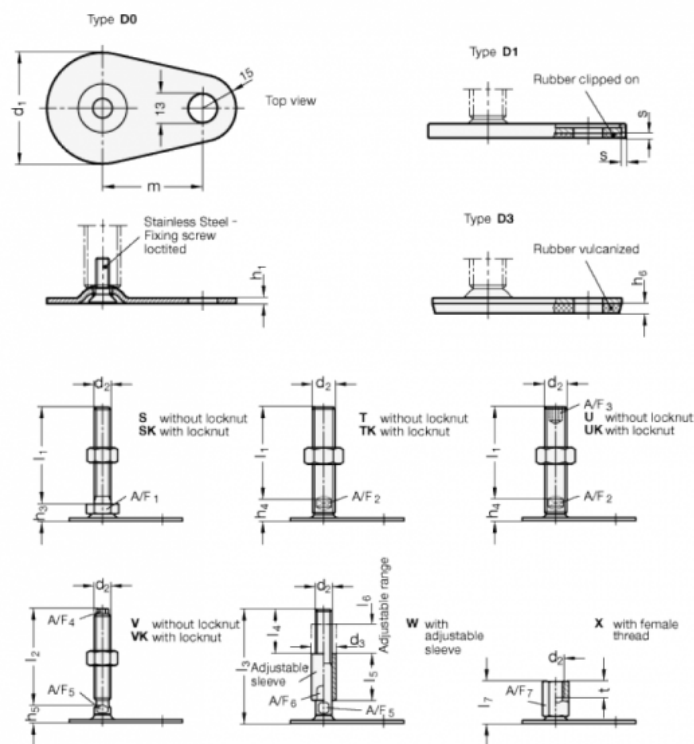


Data Sheet



Article number: 204350M1080D1SK
 Description: E+G levelling foot
 GN 43-50-M10-80-D1-SK
 Note: SK With nut, External hexagon at the bottom

Measures



A/F1 = 17	s = 2
d1 = 50	
d2 = M10	
h1 = 2.5	
h3 = 11	
h6 =	
l1 = 80	
m = 45	